

DRAWING MADE IN THIRD ANGLE PROJECTION

Copyright 1981 by AMP Incorporated, Harrisburg, Pa. All International Rights Reserved. AMP Incorporated Products Covered by U. S. and Foreign Patents and/or Patents Pending.

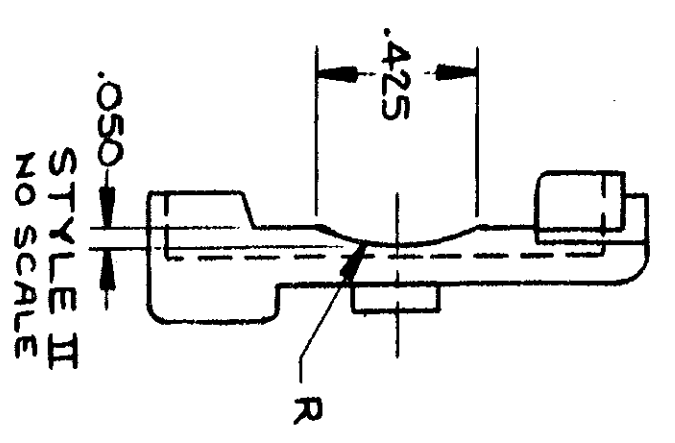
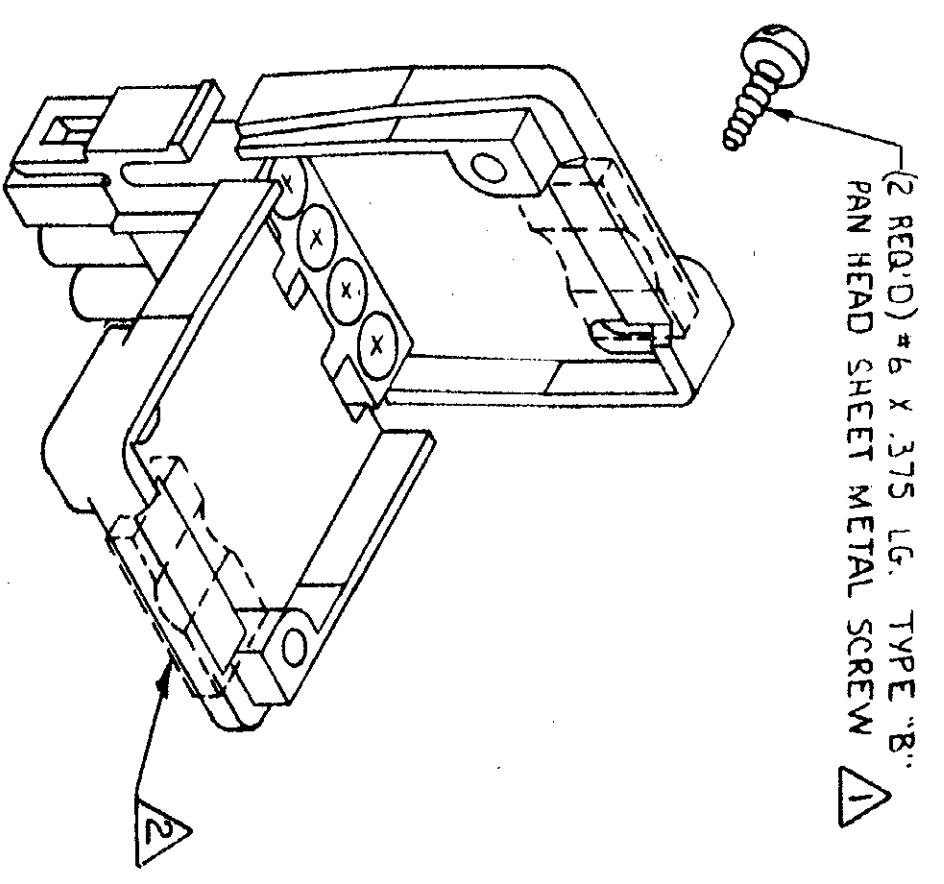
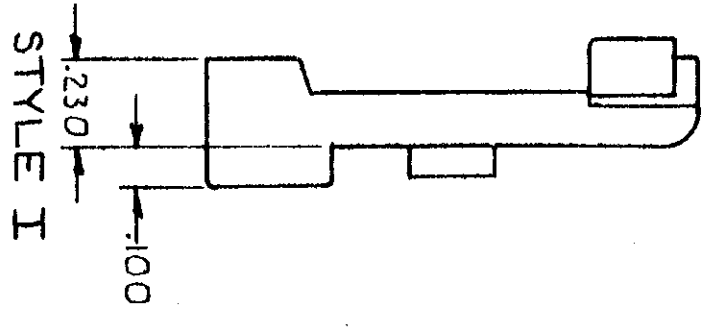
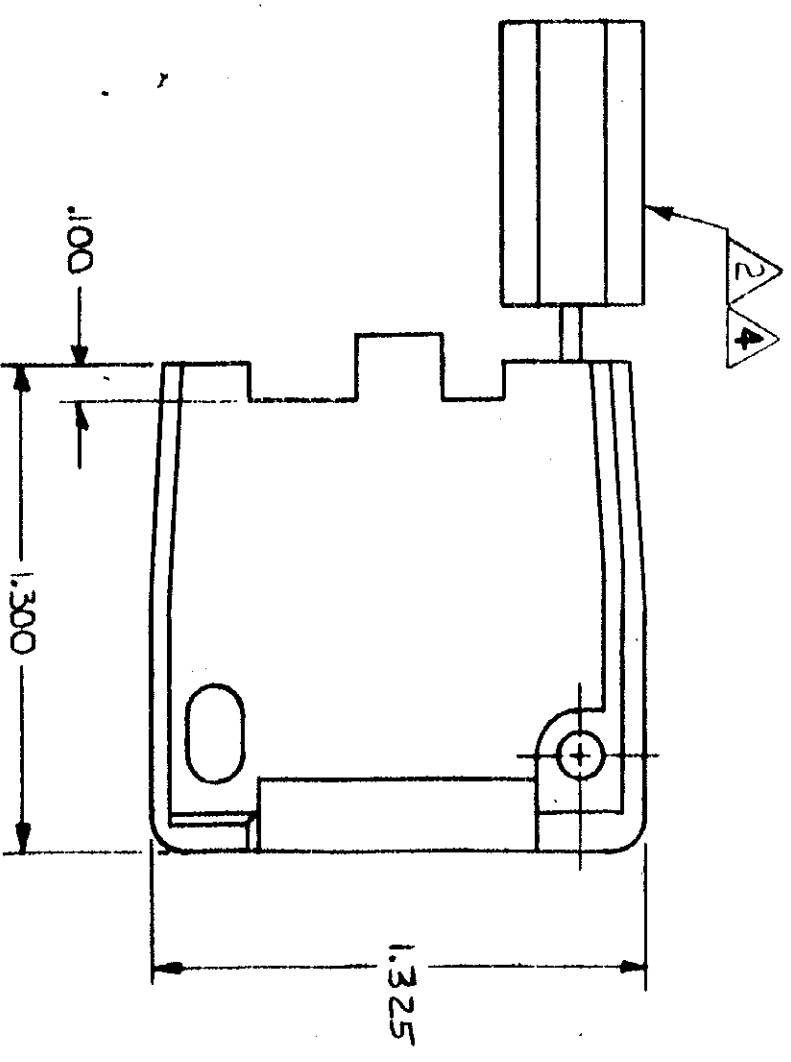
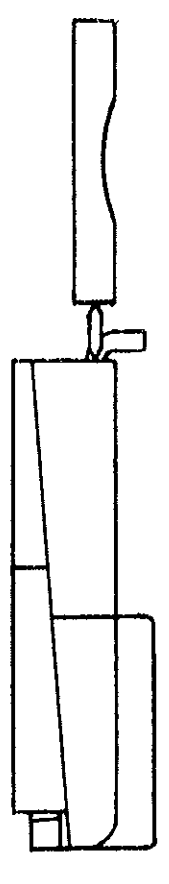
3

2

1

REV	ZONE	TR	DESCRIPTION	DATE	APPROVED
0			RELEASE DRAWING PER M-6208	1-22-81	MJF/DH
1			REVISED WIDTH PER M-6934	4-27-82	MJS/AM
2			ADDED-2 PER TT 83-133	11-23-83	KW/SS
3			RESTORATION	01-25-85	KS/SS
4			REV PER EGN CM 705	02/11/86	TB/LDS

- 5. DETACHABLE INSERT MAY SEPARATE FROM STRAIN RELIEF BODY DURING SHIPPING.
- 4. STYLE II DOES NOT INCLUDE INSERT.
- 3. TWO REQUIRED PER CONNECTOR.
- 2. OFF AND POSITIONED AS SHOWN BY DOTTED LINES.
- 1. ADJUSTMENT FOR SMALL WIRE BUNDLES, IT SHOULD BE CUT AS AN ADDITIONAL STRAIN RELIEF.



WIRE BUNDLE	MAX	MIN
WITHOUT INSERT	4 @ .190 DIA	
WITH INSERT		4 @ .040 DIA

UNLESS OTHERWISE SPECIFIED DIMENSIONS ARE IN INCHES. TOLERANCES ON: DECIMALS ±.015 ANGLES ±

CONTRACT NO. DR M. FEHER 1-22-81
CHK J.S. Heide 1/28/81
APPD J.C. [Signature] 1-28-81
DSGN APPD
OTHER APPD

NAME: STRAIN RELIEF AND INSERT, UNIVERSAL MATE-N-LOK™, 4 CIRCUIT
AMP INCORPORATED Harrisburg, Pa.
SIZE CODE IDENT NO: DRAWING NO: 641775
SCALE: 2-1 SHEET 1 OF 1

MATERIAL	STYLE	COLOR	PART NO
NYLON 94V-2	II	NATURAL	641775-2
NYLON 94V-2	I	NATURAL	641775-1

-2 WAS CP83-31591-1

AMP 1471-6 REV 12-78

CUSTOMER DRAWING

641775